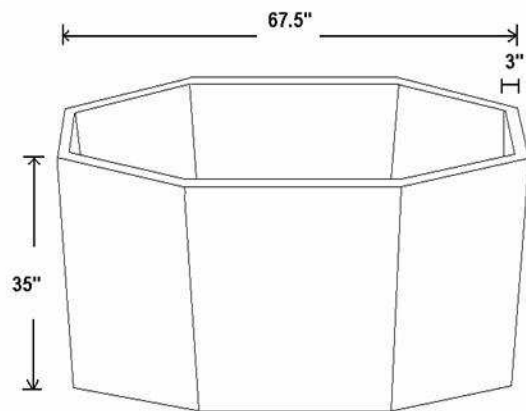


DAWN

Enterprises

Specification Sheet PC720: 6' Octagonal Concrete Planter



Specifications:

- Dimensions: 67.5" Overall Diameter, 35" Height, 3" Wall Thickness
- Weight: 3000 lbs
- Materials: 3/8" steel rebar, Type 3 Portland cement conforming to ASTM C31 specifications
- Stress Load: 5000 PSI at 28 days
- Finish options: Natural or Sponge
- Color Options: Natural, Charcoal, Brown, Terra Cotta, or custom options available
- Warranty: One year warranty against manufacturer's defects