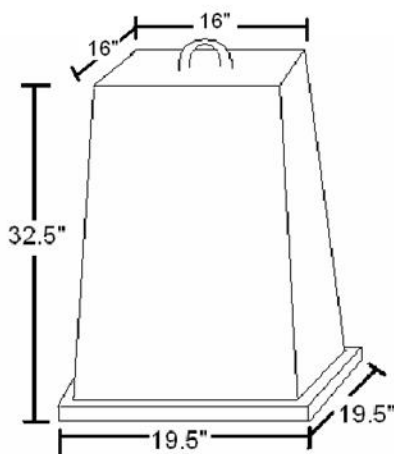


DAWN

Enterprises

Specification Sheet BOC850S: The Moveable Block Bollard



Specifications:

- Dimensions: 19.5" x 19.5" at base, 16" x 16" at top, 32.5" height
- Weight: 850 lbs
- Materials: 3/8" steel rebar cage, Type 3 Portland cement conforming to ASTM C31 specifications, 3/8" steel rebar lift point
- Stress Load: 5000 PSI at 28 days
- Finish options: Natural, Con-tex, Light Sandblast or Heavy Sandblast (please reference color/finish sheet)
- Color Options: Natural, Charcoal #920, Brown #238, Terra Cotta, Coco, Green or custom (please reference color/finish sheet)
- Warranty: One year warranty against manufacturer's defects