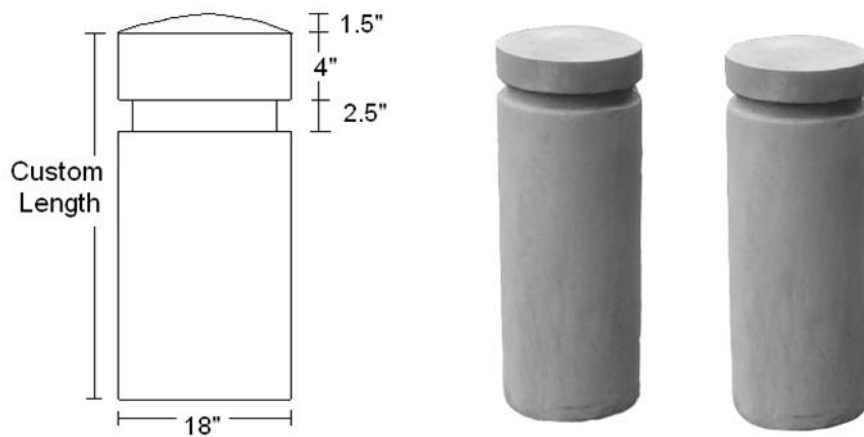


DAWN

Enterprises

Specification Sheet BOC18R: 18" Round Concrete Bollard



Specifications:

- Dimensions: 18" diameter x custom length (48" max), 1.5" dome cap, 2.5" reveal 4" down from top
- Weight: 265lbs per foot
- Materials: 3/8" steel rebar, Type 3 Portland cement conforming to ASTM C31 specifications
- Stress Load: 5000 PSI at 28 days
- Finish options: Natural, Con-tex, Light Sandblast or Heavy Sandblast (please reference color/finish sheet)
- Color Options: Natural, Charcoal #920, Brown #238, Terra Cotta, Coco, Green or custom (please reference color/finish sheet)
- Warranty: One year warranty against manufacturer's defects