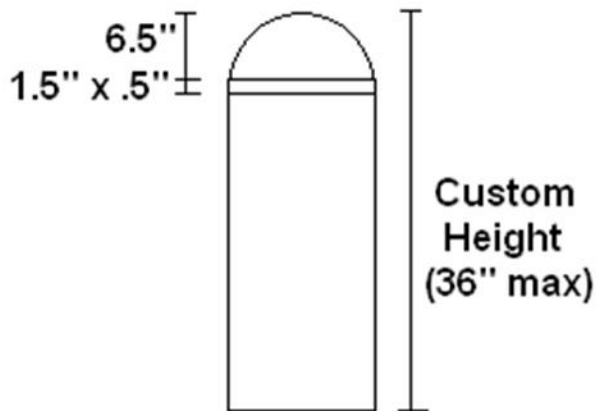


DAWN

Enterprises

Specification Sheet

BOC12D: 12" Concrete Bollard with 6.5" Dome Top



Specifications:

- Dimensions: 12" diameter x custom length (36" max), with 1.5" tall x .5" deep reveal 6.5" down from top
- Weight: 120lbs per foot
- Materials: 3/8" steel rebar, Type 3 Portland cement conforming to ASTM C31 specifications
- Stress Load: 5000 PSI at 28 days
- Finish options: Natural, Con-tex, Light Sandblast or Heavy Sandblast (please reference color/finish sheet)
- Color Options: Natural, Charcoal #920, Brown #238, Terra Cotta, Coco, Green or custom (please reference color/finish sheet)
- Warranty: One year warranty against manufacturer's defects