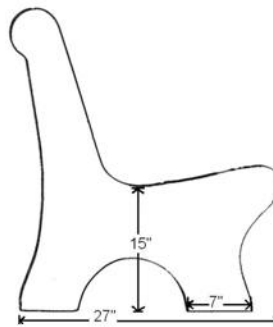
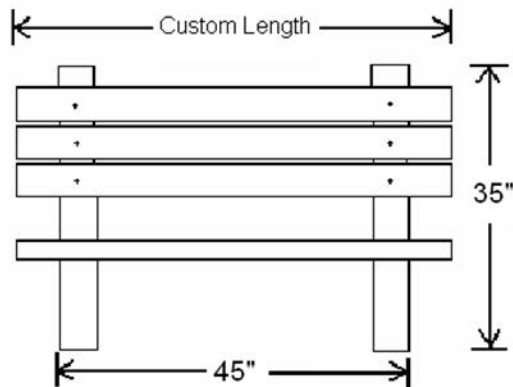


DAWN

Enterprises

Specification Sheet BECxxC: The Coventry Bench



Specifications:

- Dimensions: Available in custom length up to 96"
- Weight: Varies based on length (60" length is 275lbs)
- Materials: Steel reinforced concrete legs, Douglas Fir slats for seat and back
- Leg color options: Natural, Brown, Charcoal, Terra Cotta or custom stain
- Leg finish options: Natural or Stained
- Wood color options: Natural, Forest Green, Cocoa or custom stain
- Warranty: One year warranty against manufacturer's defects