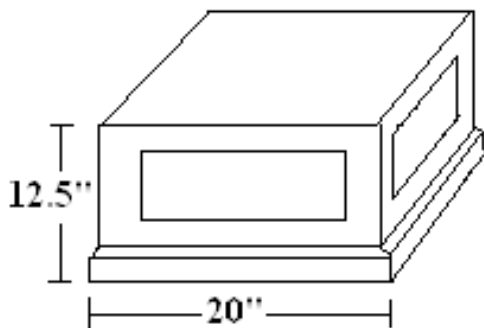


DAWN

Enterprises

Specification Sheet TP40H4: Square Plastic 4-Way Lid



Specifications:

- Dimensions: 20" x 20" x 12.5" with four 15" x 6.5" openings for trash disposal
- Weight: 6lbs
- Materials: Rotationally molded #4 recyclable HDPE
- Color Options: Brown, Grey, Black, Red or Blue
- Fits: RS35S, RC35S, and RP40S