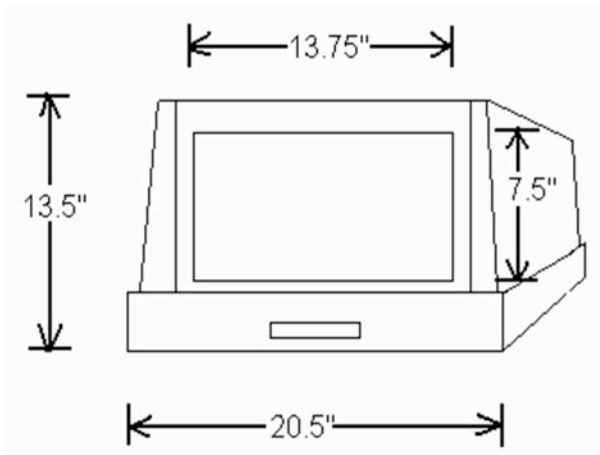


DAWN

Enterprises

Specification Sheet

TP35H: Square Plastic Hood Top for 35 Gallon Receptacle



Specifications:

- Dimensions: 20.5" x 20.5" x 13.5", 13.75" x 7.5" opening for trash deposit
- Weight: 6lbs
- Materials: Rotationally molded #4 recyclable HDPE
- Color Options: Red, Reflex Blue, Black, Brown, Grey, Royal Blue, or custom colors available
- Other Options: Custom and standard logos, drive-thru chutes, tray holders, ash tray inserts, and security bolt for chain kits available