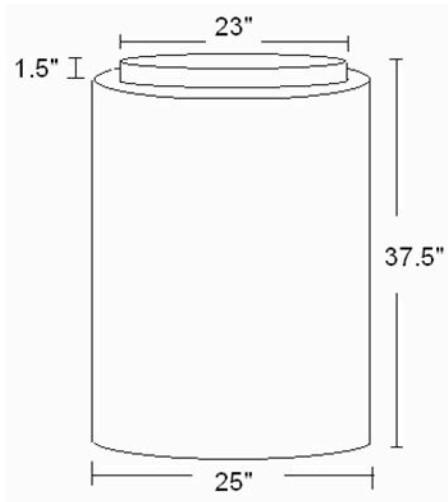


DAWN

Enterprises

Specification Sheet RS55R: 55 Gallon Stone Aggregate Receptacle



Specifications:

- Dimensions: 25" OD, 23" ID, 37.5" height
- Weight: 230lbs
- Materials: 55gal steel drum non-removable liner, natural 3/8" river stone aggregate
- Color Options: Natural Brown, Brick Red, Grey, Black, or custom
- Warranty: One year warranty against manufacturer's defects