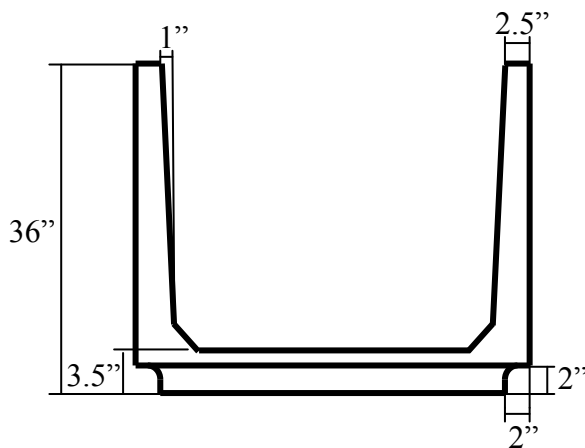


DAWN

Enterprises

PCG48S: 48" Square Concrete with Recycled Glass Planter Spec Sheet



- Dimensions: 48" x 48" x 36" with 2.5" Wall thickness at top.
- Weight: 2250 lbs
- Materials: 3/8" steel rebar, Type 3 Portland cement, Recycled Glass
- Stress Load: 5000 PSI at 28 days
- Color/Finish: Please reference our color/finish chart for standard options
- Warranty: One year warranty against manufacturer's defects