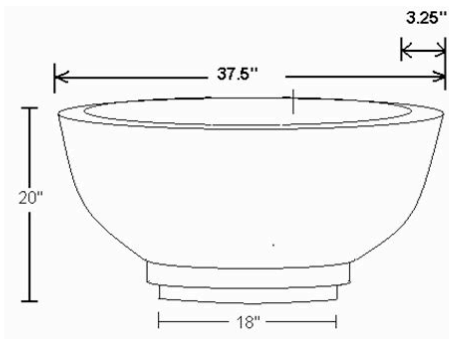


DAWN

Enterprises

PCG36RDB: 3' Concrete with Recycled Glass Bowl Planter with deco base Spec Sheet



- Dimensions: 37.5" Overall Diameter, 17" Height, 3.25" Wall Thickness
- Weight: 600 lbs
- Materials: 3/8" steel rebar, Type 3 Portland cement, Recycled Glass
- Stress Load: 5000 PSI at 28 days
- Recycled Glass Color Options: Clear, Blue, Green, Citrus.
- Concrete Color Options: White, Natural, Brown, Charcoal
- Finish: Optional Light Sandblast
- Warranty: One year warranty against manufacturer's defects