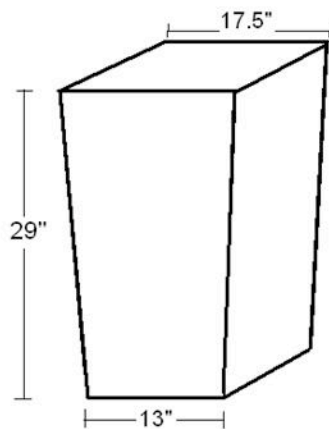


# DAWN

## Enterprises

### Specification Sheet

#### LP35S: Liner for 35 Gallon Square Receptacle



#### Specifications:

- Dimensions: 13" x 13" at the base, 17.5" x 17.5" at the top, x 29" H
- Weight: 6lbs
- Materials: Rotationally molded #4 recyclable LDPE
- Color Options: Black
- Warranty: One year warranty against manufacturer's defect