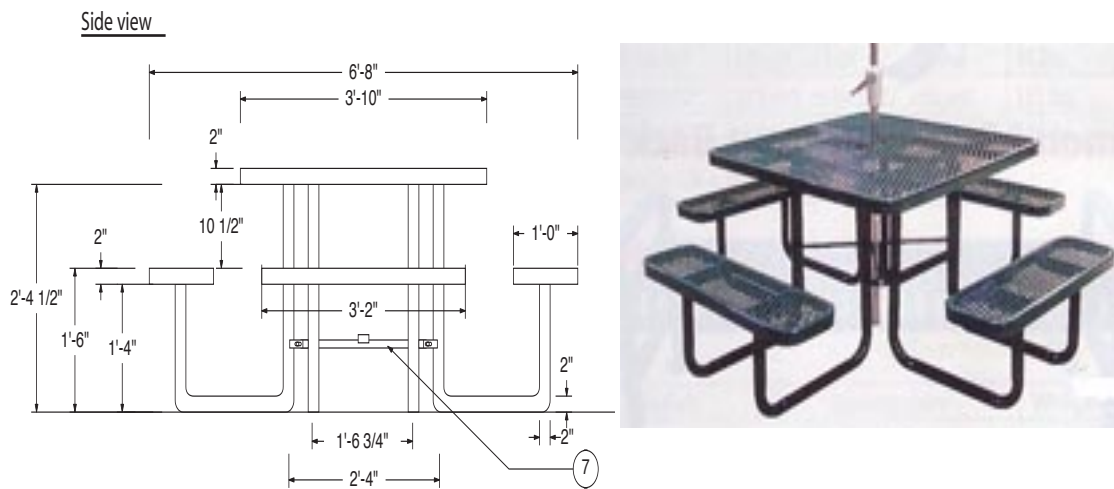


DAWN

Enterprises

LCT46SQ: 46" Square Expanded Metal Table Spec Sheet



- Dimensions: 6'-8" Length, 2'-4 1/2" Height
- Weight: 270 lbs
- Materials: 9 Gauge Expanded Metal
- Color Options: Black, Red, Orange, Yellow, Green, BKGreen, Teal, Blue, Brown, Burgundy, Purple, Beige, Granite, Gray, Navy, Sandstone
- Finish: Thermoplastic Finish
- Portable, Surface Mount, In-Ground – Mounting Options